

Explain **ZERRO**
Fast Setting

Sell Center:

Listing **ZERRO** Accessory

Check List:

1. Device: 1 piece
2. A suit of sponge underlay
3. A suit of insert cables
4. A suit of power line
5. Fastening screw: 2 pieces
6. USB data Cable (Not available for model name with “U” alphabet)
7. 12V 2A power supply (Only for time attendance device without access control function)
8. 1 pc of RS232 data Cable (Only for model name with “U” alphabet)
9. RF ID Card or RF Mifare Card : 1 piece (Only for model name with “K” or “M” alphabet)
10. Manuals (Hardware & Software)
11. T&A software CD : 1 piece

List:

1. Check List
2. Hardware Main Menu
3. Fast Software Wizard
4. Sketch Map for Access Control
5. Important Pictures



MENU

1. REGISTER USER

- USER
 - NEW REGISTER
 - REG. FINGER
 - REG. PASSWORD
 - REG. CARD
 - REG. FP & PASS
 - REG. FP & CARD
 - BACKUP REGISTER
 - REG. FINGER
 - REG. PASSWORD
 - REG. CARD

MANGER

- NEW REGISTER
 - REG. FINGER
 - REG. PASSWORD
 - REG. CARD
 - REG. FP & PASS
 - REG. FP & CARD
- BACKUP REGISTER
 - REG. FINGER
 - REG. PASSWORD
 - REG. CARD

SECURITY LEVEL

- 1:1 VERIFY
- INIT. 1:1
- 1: N IDENTIFY
- REGULATE
- USB UPLOAD

2. DELETE USER

3. DATA DOWNLOAD

- USB DOWNLOAD
 - GLOG
 - ALL GLOG
 - ALL ENROL DATA
- RS232 DWNLD
 - BAUDRATE
- RS485 DWNLD
- ETHERNET DWNLD
 - IP ADDRESS
 - SUBNET MASK
 - DEF. GATEWAY
 - PORT NO 4370

SERVER IP
SER. PORT NO 7005

4. TIME SETTING

5. ADVANCE SETTING

- MACHINE SETTING
 - MACHINE NO
 - MANAGER QTY
 - LANGUAGE
 - VOICE OUT
 - LCD CON(TRAST)
 - AUTO OFF
 - PKEY(POWERKEY) USE
- INITIALIZATION
- RECORD SETTING
 - AREC WRN
 - UREC WRN
 - REVERIFY
- DOOR LOCK OUT
 - TIME SETTING
 - LOCK REGISTER
 - TIME GROUP
 - UNLOCK GROUP
 - UNLOCK TIME
 - LOCK TYPE
 - ALARM TYPE
 - ALARM DELAY
 - ACCESS MODE
 - G. MODE
 - USERS

6. INFORMATION

- STORAGE DETAIL
 - USER REG.
 - MANAGER REG.
 - FINGER
 - PASSWORD
 - CARD
- RECORD DETAIL
 - USER REC.
 - ADMIN REC.
 - VIEW USER REC.
 - VEIWI ADMIN REC.
 - DELETE ALL REC.
- SYSTEM DETAIL
 - MANUFACTURER
 - MACHINE NAME
 - RELEASE TIME
 - SERIAL NUMBER
 - ENGINE VERSION
 - SOFT VERSION

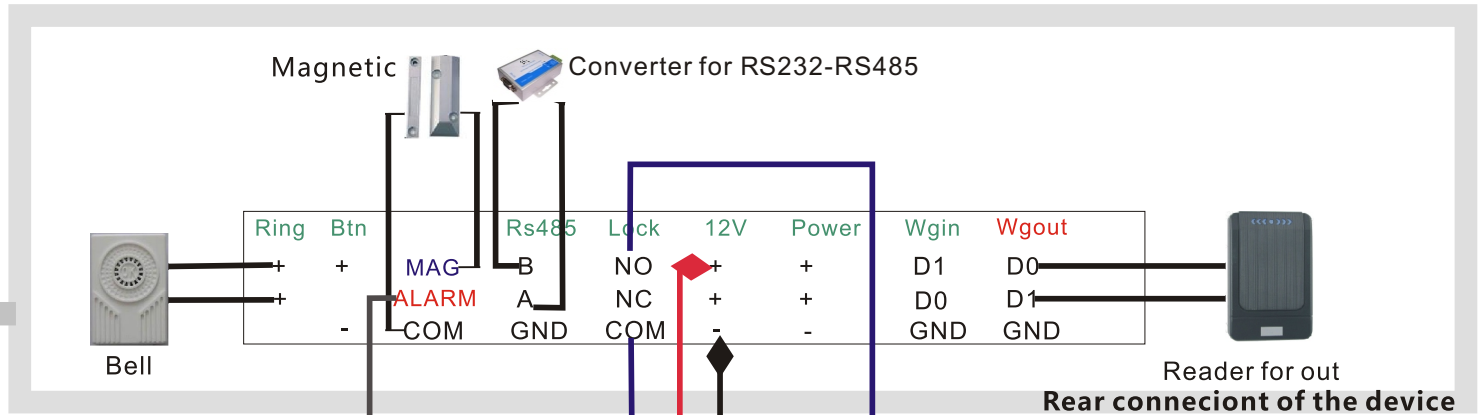
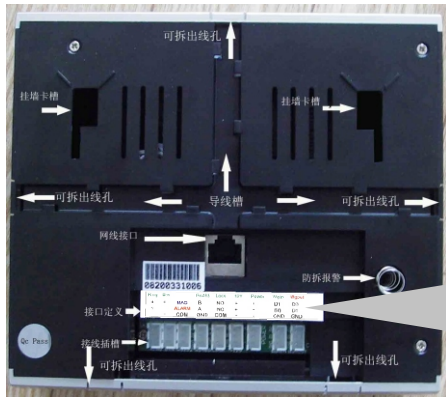


Fast Software Wizard

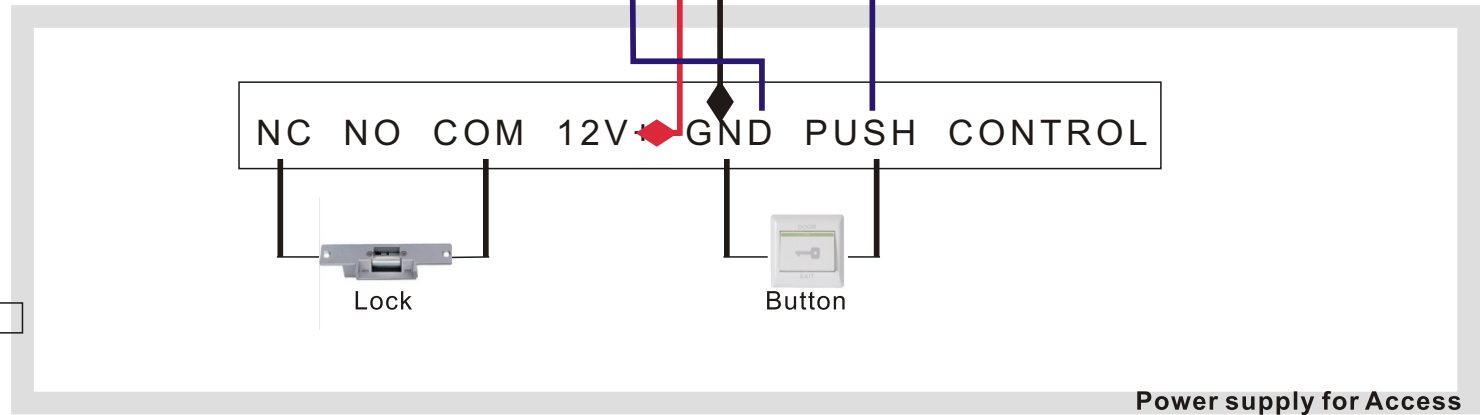
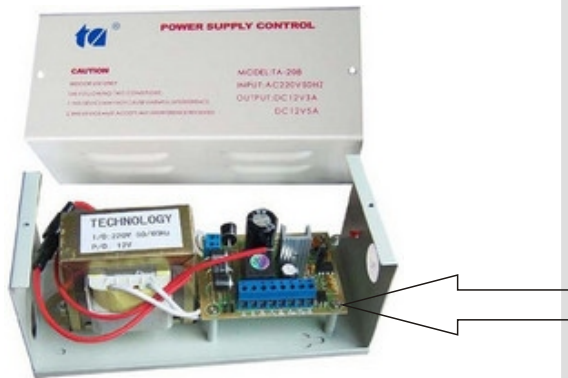
- 1 Login, defaulted User Name: admin, password:123
- 2 Set pull-down menu "Personnel" → "Dept. Data Setting" → "Add"
- 3 Set pull-down menu "Personnel" → "Fundamental Data Setting" → "Add"
- 4 Set pull-down menu "Personnel" → "Staff Management" (or "Staff" shortcut icon) → "Add" (Note: The User ID should be keep same between the device & software. It's highly recommended that Manager first set "Staff Management", then go to enroll fingerprint on the device)
- 5 Enroll fingerprint on the device with the correct user ID which is already registered in the software.
- 6 Set pull-down menu "Device" → "Device Registration Management" (or "Dev. Reg." shortcut icon), choose one device → "Refresh" → "Execute" (Note: It's not recommended that the manager choose any option, only choose "Execute" is ok)
- 7 Set pull-down menu "Attendance" → "Attendance Shift" → "Add" → "Shift Code" and "Shift Name" → "Save", chose the "Shift Code" by mouse, and it will shown all 6 time zones of this shift code. Click "Edit" to set relevant parameter of this time zone and click "Save" when it finishes.
- 8 Set pull-down menu "Management" → "Attendance Report Daily" (or "Att. Daily" shortcut icon), → "Calculation" (All attendance data should have already been download to the software) → "Query" → "Report"
- 9 Set pull-down menu "Management" → "Attendance Report Monthly" (or "Att. Month" shortcut icon) → "Query" → "Report"
- 10 Other detail function. Please refer back to "Software Manual".

Connect ZERRO Sketch map

THE WAY OF LOCK CONNECT TO POWER SUPPLY

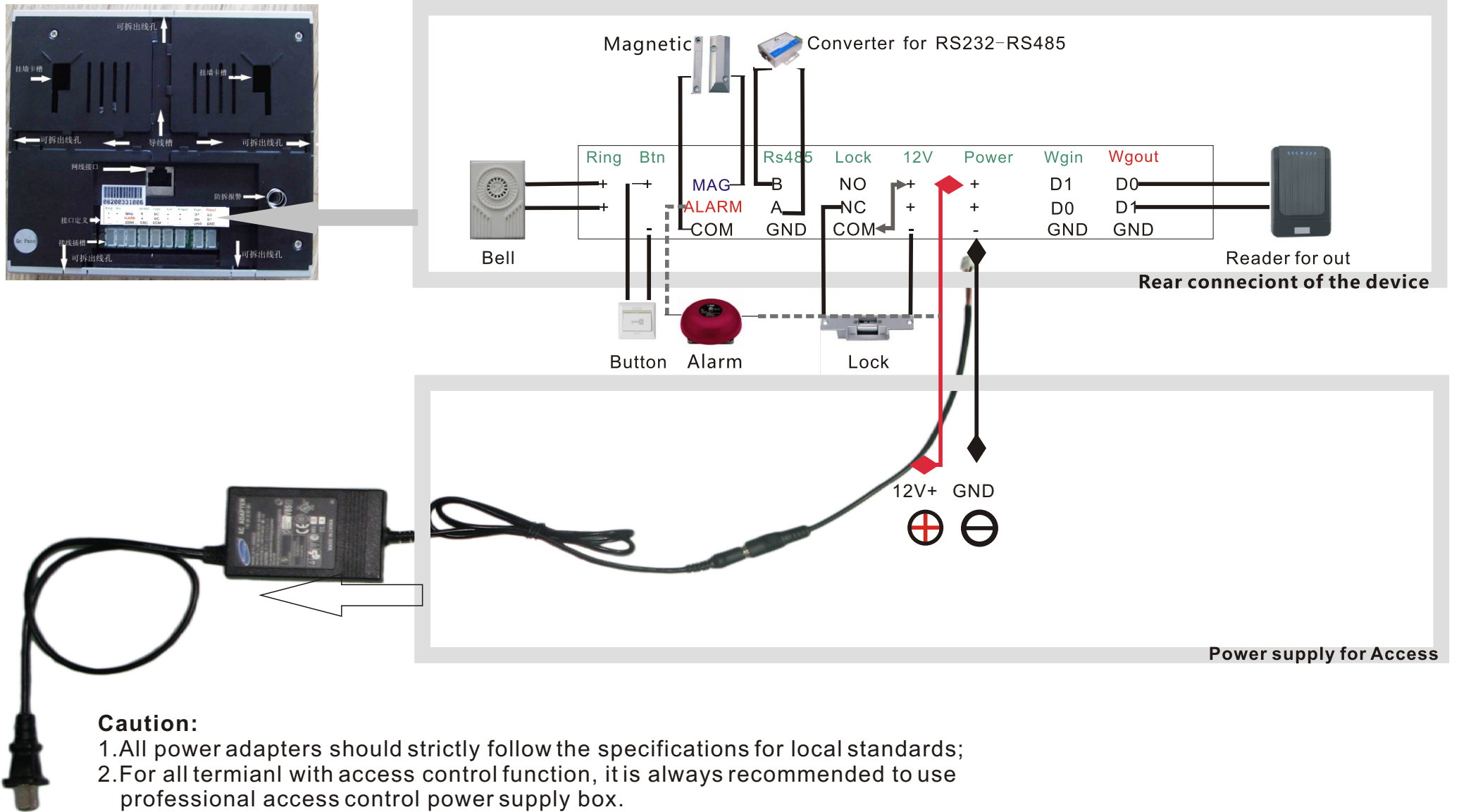


Alarm



Connect ZERRO Sketch map

THE WAY OF LOCK CONNECT TO POWER SUPPLY



Caution:

1. All power adapters should strictly follow the specifications for local standards;
2. For all terminal with access control function, it is always recommended to use professional access control power supply box.

Important Picture

